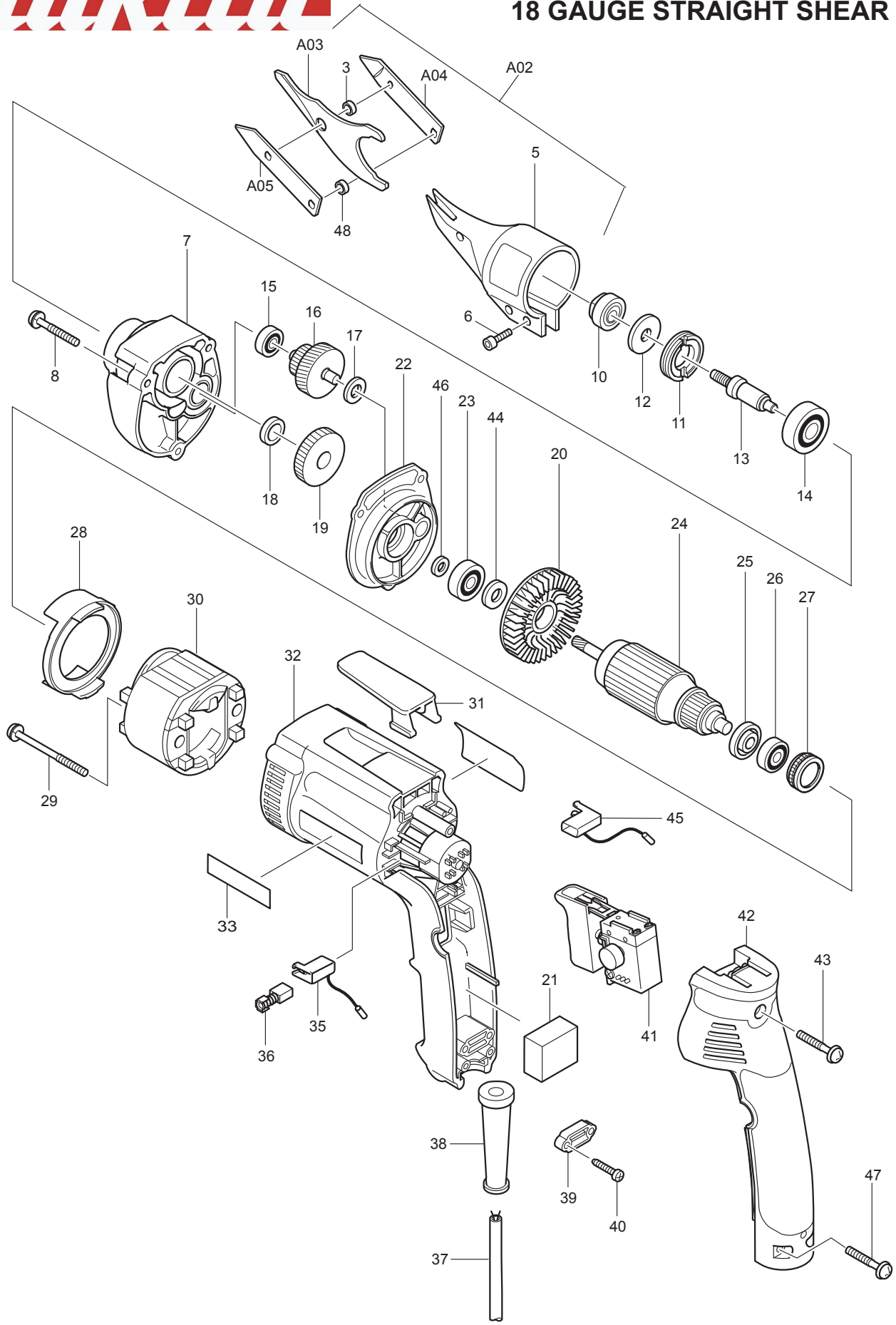




02 - 2010

JS1300

# 18 GAUGE STRAIGHT SHEAR



Item No	Type	Ref	Ref F Part No	Description	Qty	Unit
003			257705-5	SLEEVE 5	1	PC.
005			152663-9	CUTTING HEAD COM	1	PC.
006			266268-0	HEX. SOCKET HEAD BOLT	3	PC.
007			317419-9	GEAR HOUSING	1	PC.
008			266050-7	TAPPING SCREW 4X30	3	PC.
010			125111-1	BEARING ASS'Y	1	PC.
011			285802-7	BEARING RETAINER 19-33	1	PC.
012			267223-5	FLAT WASHER 10	1	PC.
013			324066-9	SPINDLE	1	PC.
014			211129-9	BALL BEARING 6201DDW	1	PC.
015			211014-6	BALL BEARING 606	1	PC.
016			226133-5	GEAR COMPLETE 17-35	1	PC.
017			267017-8	FLAT WASHER 8	1	PC.
018			257010-0	RING 12	1	PC.
019			227010-4	SPUR GEAR 36	1	PC.
020			240022-0	FAN 52	1	PC.
022	2		152910-8	GEAR HOUSING COVER COMPLETE	1	PC.
023			210007-0	BALL BEARING 608VV	1	PC.
024			517321-8	ARMATURE ASS'Y 115V	1	PC.
		INC.		Item No. 20,23,25,26,44		
025			681636-0	INSULATION WASHER	1	PC.
026			211021-9	BALL BEARING 607LLB	1	PC.
027			421479-6	RUBBER RING 19	1	PC.
028			416993-5	BAFFLE PLATE	1	PC.
029			266147-2	TAPPING SCREW 4X55	2	PC.
030			633441-1	FIELD 115V	1	PC.
031	2		417625-7	HOOK	1	PC.
032	4		450718-7	MOTOR HOUSING	1	PC.
034			852518-5	NAME PLATE F/JS1300	1	PC.
035			643971-4	BRUSH HOLDER	1	PC.
036	2		195007-0	CARBON BRUSH CB-407 2PC/SET, W/O ORIGIN	1	SET
037			664064-4	CORD W/PLUG 2P-18-2.5M, SJ	1	PC.
038			682559-5	CORD GUARD 8	1	PC.
039			687063-9	CORD CLAMP (STRAIN RELIEF)	1	PC.
040			265995-6	TAPPING SCREW 4X18	2	PC.
041			651296-2	SWITCH C3MA-2L-S	1	PC.
042	1		151961-8	HANDLE COVER COMPLETE	1	PC.
		INC.	263002-9	RUBBER PIN 4	2	PC.
	2		158710-4	HANDLE COVER COMPLETE	1	PC.
		INC.	263002-9	RUBBER PIN 4	2	PC.
043			265999-8	TAPPING SCREW 4X25	1	PC.
044			253139-0	FLAT WASHER 8	1	PC.
045			643973-0	BRUSH HOLDER	1	PC.
046			262087-2	RING 8	1	PC.
047			265999-8	TAPPING SCREW 4X25	2	PC.
048			257705-5	SLEEVE 5	1	PC.
049			442136-3	GASKET (Added)	1	PC.
100			654121-6	TAB	4	PC.
<b>ACCESSORIES</b>				<b>- See catalogue or visit <a href="http://www.makita.ca">www.makita.ca</a> for more accessories information</b>		
A01			783215-1	HEX. WRENCH 5/32'	1	PC.
A02	2		125849-8	SHEAR HEAD ASS'Y W/LABEL	1	PC.
		INC.		Item No. 3, 5, 6,48, A03 - A05		
		INC.	808046-8	INDICATION LABEL	1	PC.
A03			792744-3	CENTER BLADE	1	PC.
A04			792742-7	SIDE BLADE R	1	PC.
A05			792743-5	SIDE BLADE L	1	PC.
E01			892672-3	CAUTION LABEL (SP)	1	PC.